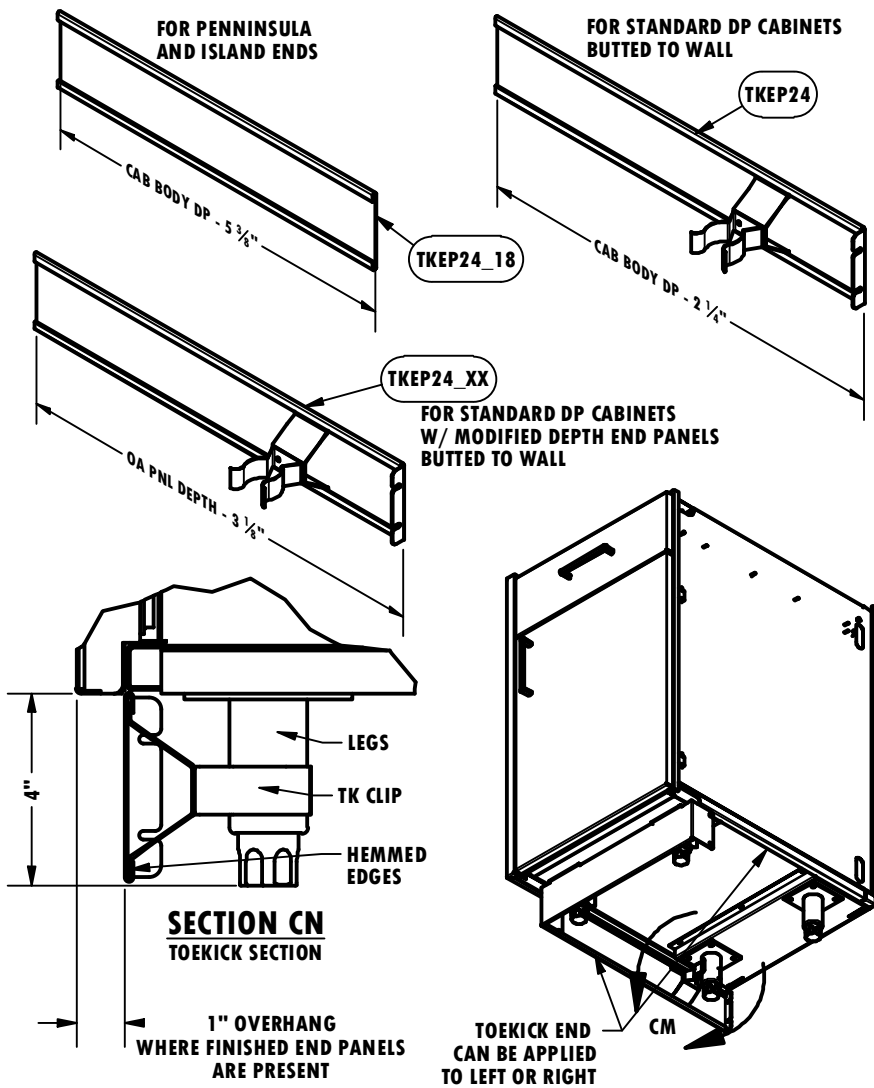




# TKEPXX TOEKICK ENDS



ACCESSORY #	DESCRIPTION
TKEP24	REVERSIBLE TOEKICK END FOR 24 in DP CAB
TKEP24_26	REVERSIBLE TOEKICK END FOR 24 in DP CAB 26in OA PNL DP
TKEP24_28	REVERSIBLE TOEKICK END FOR 24 in DP CAB 28in OA PNL DP
TKEP24_30	REVERSIBLE TOEKICK END FOR 24 in DP CAB 30in OA PNL DP
TKEP24_32	REVERSIBLE TOEKICK END FOR 24 in DP CAB 32in OA PNL DP
TKEP24_34	REVERSIBLE TOEKICK END FOR 24 in DP CAB 34in OA PNL DP
TKEP24_36	REVERSIBLE TOEKICK END FOR 24 in DP CAB 36in OA PNL DP
TKEP28	REVERSIBLE TOEKICK END FOR 28 in DP CAB
TKEP28_30	REVERSIBLE TOEKICK END FOR 28 in DP CAB 30in OA PNL DP
TKEP28_32	REVERSIBLE TOEKICK END FOR 28 in DP CAB 32in OA PNL DP
TKEP28_34	REVERSIBLE TOEKICK END FOR 28 in DP CAB 34in OA PNL DP
TKEP28_36	REVERSIBLE TOEKICK END FOR 28 in DP CAB 36in OA PNL DP
TKEP28_38	REVERSIBLE TOEKICK END FOR 28 in DP CAB 38in OA PNL DP
TKEP28_40	REVERSIBLE TOEKICK END FOR 28 in DP CAB 40in OA PNL DP
TKEP24_18	REVERSIBLE TOEKICK END FOR 24 in DP CAB @ PENNSULA ENDS
TKEP28_22	REVERSIBLE TOEKICK END FOR 28 in DP CAB @ PENNSULA ENDS

**NOTES:**  
 TOEKICK ENDS PROVIDED ON CABINETS WHERE FINISHED TOEKICK AND FINISHED ENDS ARE BOTH SPECIFIED  
 1 TOEKICK END PROVIDED PER FINISHED END PANEL  
 TOEKICKS ENDS TO MATCH FINISHED END PANEL  
 EX: EPB345X24\_30 IS SUPPLIED WITH TKEP24\_30

WHEN FINISHED BACK PANELS ARE SPECIFIED SHORTENED TOEKICK WILL BE PROVIDED  
 TK24\_18 FOR 24IN DP CAB BODY  
 TK28\_22 FOR 28IN DP CAB BODY

FOR CURB BASE CONDITIONS SPECIFY UNFINISHED TOEKICK  
 LEGS CAN BE EASILY REMOVED FOR CURB BASE CONDITIONS

